

Model# 0641

Pre-Rinse Assembly



FEATURES & SPECIFICATIONS

- Overhead Swivel 12" Reach and 27-3/4" High Arm
- 26" Flexible Stainless Steel Hose
- Back Flow Preventers
- Quick Install Adapters to retrofit on T&S, Chicago Faucets and Fisher 1.1 GPM Flow Rate, 6.5 ozf Spray Force Spray Valve
- 1.1 GPM Flow Rate, 6.5 ozf Spray Force Spray Valve
- Pipe Strap and Hook Assembly

FINISHES

- PC Polished Chrome

STANDARDS

- ASME A112.18.1
- ANSI / NSF 61, SECTION 9
- CUPC / IAPMO LISTED
- CONTAINS NO MORE THAN 0.25% WEIGHTED AVERAGE LEAD CONTENT



FLOW

- 1.1 GPM Flow Rate, 6.5 ozf Spray Force Spray Valve

WARRANTY

- Lifetime Limited Warranty
- Lifetime Residential Warranty
- 5 Year Commercial Warranty

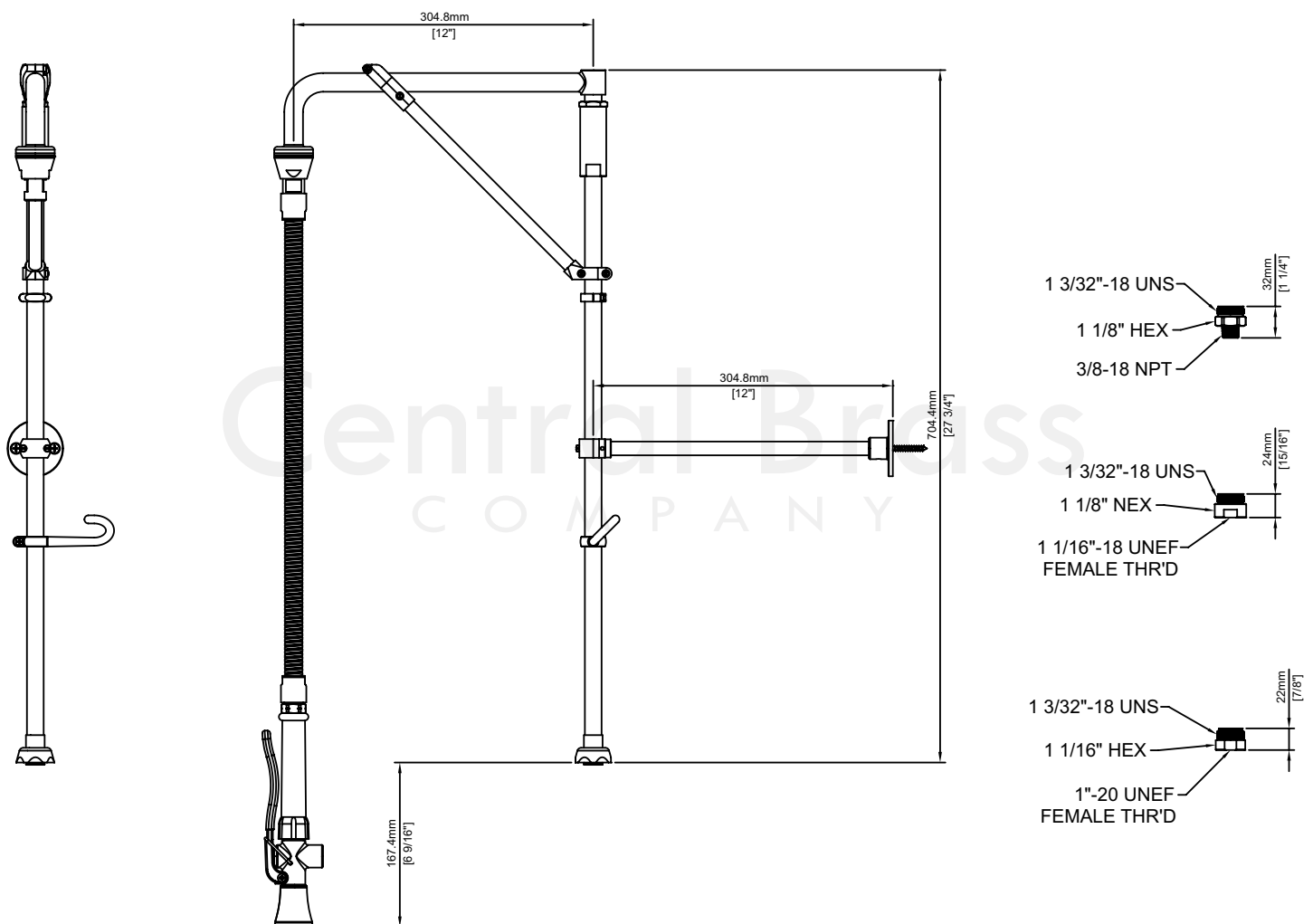
Job Name _____ Date _____
Model Specified _____ QTY _____
Customer/Wholesaler _____
Contractor _____
Architect/Engineer _____
Submitted as Shown _____
Submitted w/ Variations _____

0641/REV. 11 2016

Product Specifications subject to change without notice

Model# 0641

Pre-Rinse Assembly



0641/REV. 11 2016

Product Specifications subject to change without notice